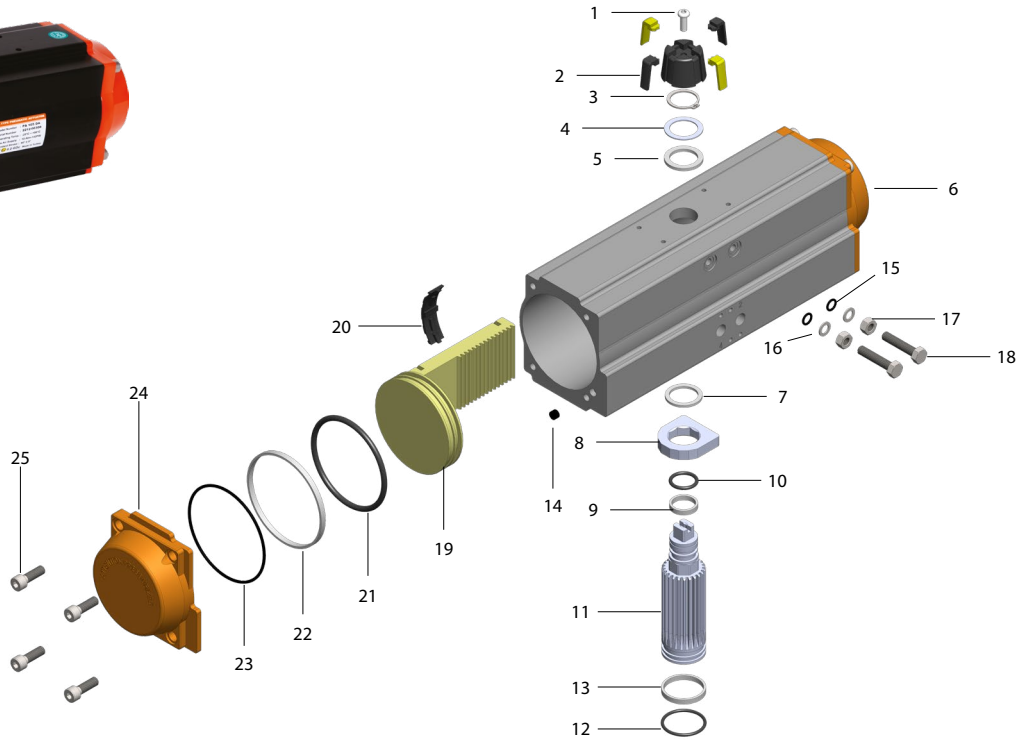


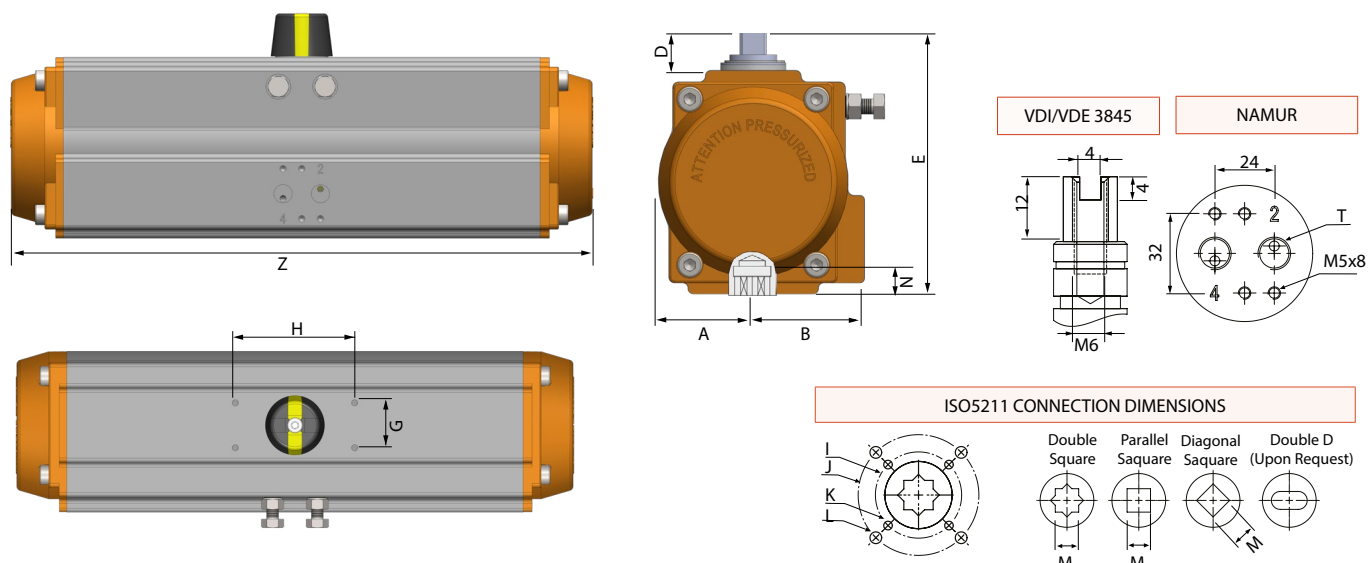


A212 Series 120°~180° Double Act. Pneumatic Actuators Part List



No.	Part Name	Qty	Standart Material	Protection	Optional Material
1	Indicator Screw	1	Stainless Steel		
2	Indicator	1	Plastic		
3	Circlip	1	Stainless Steel		
4	Metal Washer	1	Stainless Steel		
5	Washer	1	Engineering Plastics		
6	Body	1	Extruded Aluminium Alloy	Hard Anodizing	Stainless Steel, Epoksi/Nickel Plated
7	Inner Washer	1	Engineering Plastics		
8	Cam	1	Alloy Steel		
9	Pinion Upper Bearing	1	Engineering Plastics		
10	Pinion Upper O-Ring	1	NBR		Viton/Silicon
11	Pinion	1	Alloy Steel	Nickel Plating / Galvanized	Stainless Steel
12	Pinion Lower O-Ring	1	NBR		Viton/Silicon
13	Pinion Lower Bearing	1	Engineering Plastics		
14	Sealant	2	NBR		Viton/Silicon
15	Adjustment Screw O-Ring	2	NBR		Viton/Silicon
16	Washer (Adjustment Bolt)	2	Stainless Steel		
17	Nut (Adjustment Bolt)	2	Stainless Steel		
18	Limit Adjustment Screw	2	Stainless Steel		
19	Piston	2	Extruded Aluminium Alloy	Alodine Coating	
20	Guide Piston	2	Engineering Plastics		
21	Piston Bearing	2	Engineering Plastics		
22	Piston O-Ring	2	NBR		Viton/Silicon
23	End Cap O-Ring	2	NBR		Viton/Silicon
24	End Cap	2	Cast Aluminium	Epoxy Powder Coating	Stainless Steel
25	Cap Screw	8	Stainless Steel		

A212 Series 120°~180° Double Act. Pneumatic Actuators Dimensions



Dimensions(mm)

Model	A	B	D	E	G	H	I	J	K	L	M	N	Z 120°	Z 180°	T
PA 52	30	41,5	20	92	30	80	ø36	ø50	M5x8	M6x10	9-11	14	166	223	G1/4"
PA 63	36	47	20	107,5	30	80	ø50	ø70	M6x10	M8x13	9-11-14	18	179	246	G1/4"
PA 75	42	53	20	119,5	30	80	ø50	ø70	M6x10	M8x13	11-14	18	200	269	G1/4"
PA 83	46	57	20	128,7	30	80	ø50	ø70	M6x10	M8x13	14-17	21	222	307	G1/4"
PA 92	50	58,5	20	136,8	30	80	ø50	ø70	M6x10	M8x13	14-17	21	273	374	G1/4"
PA 105	57,5	64	20	153	30	80	ø70	ø102	M8x13	M10x16	17-22	26	291	405	G1/4"
PA 125	67,5	74,5	20	175	30	80	ø70	ø102	M8x13	M10x16	22	26	327	455	G1/4"
PA 140	75	77	20	191,5	30	80	ø102	ø125	M10x16	M12x20	27	31	426	597	G1/4"
PA 160	87	87	20	217	30	80	ø102	ø125	M10x16	M12x20	27	31	491	691	G1/4"

Torque Output Values (Nm)

Model	Air Supply Pressure (bar)									
	2	2,5	3	4	4,5	5	5,5	6	7	8
PA 52DA	8	10	12	16	18	20	22	24	28	32
PA 63DA	15	19	22	30	33	37	40	44	52	58
PA 75DA	20	26	30	40	45	50	55	60	70	80
PA 83DA	33	40	48	63	71	79	86	94	110	125
PA 92DA	45	57	68	90	102	113	124	136	158	182
PA 105DA	66	83	100	132	149	166	182	200	232	265
PA 125DA	101	126	151	202	226	252	276	301	352	402
PA 140DA	171	214	257	342	385	428	471	513	599	684
PA 160DA	266	333	399	532	600	665	732	798	932	1064

Actuator Unit Weights (Kg/Pc)

Model	PA 52	PA 63	PA 75	PA 83	PA 92	PA 105	PA 125	PA 140	PA 160
A212 - 120°	1,5	2,2	2,9	3,5	5,5	6,5	9,5	13	20
A212 - 180°	1,8	2,7	3,5	4,3	6,5	7,5	11,5	15,5	25,5