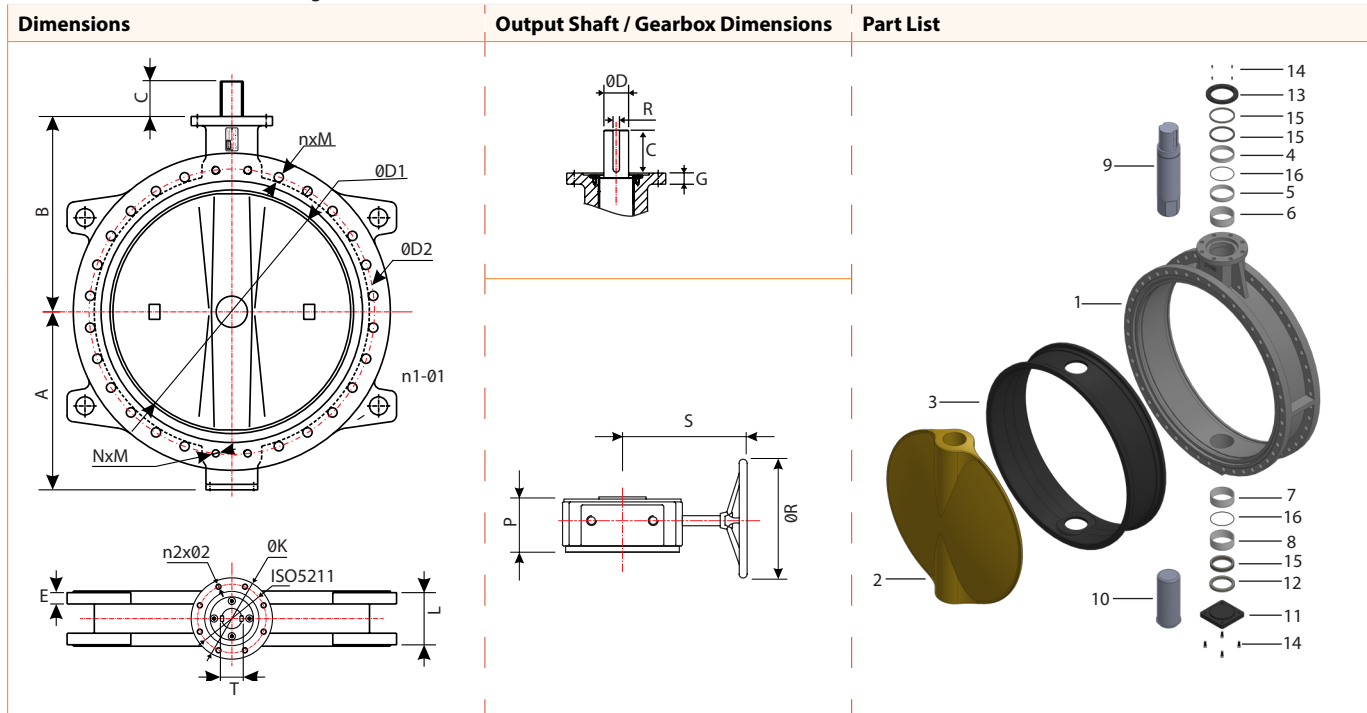


V103 Series U-Section Short Flanged DN450 -1800 Wafer Butterfly Valve

- Available in sizes from DN400 to DN1800 .
- Tongue and groove design,field-replaceable resilient rubber seats for a wide variety of applications and media.
- Bidirectional bubble tight shut off at full rated pressure of 16 bar(g).
- Flange locating holes drilled to meet PN10/PN16 or ANSI Class 150 flanges.
- Face to face dimensions according to DIN EN 558-1 Basic Series 20.



Material List

No	Part Name	Material	No	Part Name	Material	No	Part Name	Material		
1	Body	Epoxy Coated GG25 Cast Iron	3	Seat	EPDM (-30° C ~ +130° C)	10	Lower Stem	AISI420 Stainless Steel		
		Epoxy Coated GGG40 Ductile Iron			NBR (-20° C ~ +100° C)			AISI316 Stainless Steel		
		AISI304 Stainless Steel			Silicon (-30° C ~ +200° C)			11	Plug	Carbon Steel
		AISI316 Stainless Steel			Viton (-15° C ~ +200° C)			12	Sealing Ring	Brass
2	Disc	AISI316 Stainless Steel	4/5/6/7/8	Bushing	Bronze / PTFE	13	Stopper	Carbon Steel		
		Rilsan Coated Nylon11 GGG40 Ductile Iron	9	Upper Stem	AISI420 Stainless Steel	14	Screw	Stainless Steel		
		Alu-Bronze			AISI316 Stainless Steel	15/16	O-Ring	NBR/Viton		
		ETFE Lined AISI316 Stainless Steel								

Dimensions(mm)

DN	A	B	C	E	G	L	ØD	ØD1	ØD2			P	S	ØR	T	R	ØK	ISO 5211	n2xØ2	nxM			n1-M1			Free Shat Net Unit Weight (kg)
									PN10	PN16	#150									PN10	PN16	#150	PN10	PN16	#150	
450	315	425	80	32	25	114	38	440,5	565	585	578	110	254	300	41	12	175	140	4x18	20x28	20x31	16x32	-	-	-	200
500	363	485	80	33	25	127	42	491	620	650	635	110	254	300	45	12	175	140	4x18	20x28	20x34	20x32	-	-	-	310
600	459	565	80	41,5	25	154	50	579	725	770	749,5	128	301	400	53,5	14	210	165	4x23	20x31	20x37	20x35	-	-	-	390
700	537	629	95	39,5	33	165	55	681,8	840	840	863,6	128	301	400	63	16	300	254	8x18	20x31	20x37	24x35	4xM27	4xM33	4x1-1/4"	460
800	601	666	95	43	33	190	55	772,2	950	950	977,9	157	355	400	63	16	300	254	8x18	20x34	20x41	24x41	4xM30	4xM36	4x1-1/2"	620
900	656	720	130	46,5	34	203	75	873,6	1050	1050	1085,9	157	355	400	84	20	300	254	8x18	24x34	24x41	28x41	4xM30	4xM36	4x1-1/2"	850
1000	720	800	130	50	38	216	85	976,3	1160	1170	1200,1	170	377,5	400	95	22	300	254	8x18	24x37	24x44	32x41	4xM33	4xM39	4x1-1/2"	900
1200	864	940,7	150	57	35	254	105	1185,2	1380	1390	1422,4	209	476	450	117	28	350	298	8x22	28x41	28x44	40x41	4xM36	4xM39	4x1-1/2"	1250
1400	1014	1009	150	46	45	279	120	1381	1590	-	1651	280	571	500	134	32	415	356	8x33	32x44	-	44x48	4xM39	-	4x1-3/4"	1546
1600	1070	1155	180	49	45	318	160	1581	1820	-	-	280	571	500	178	40	415	356	8x33	36x50	-	-	4xM45	-	-	3200
1800	1177,5	1177,5	200	52	54	457	180	1767,1	2020	-	-	303	665	500	200	45	475	406	8x39	40x50	-	-	4xM45	-	-	5900