

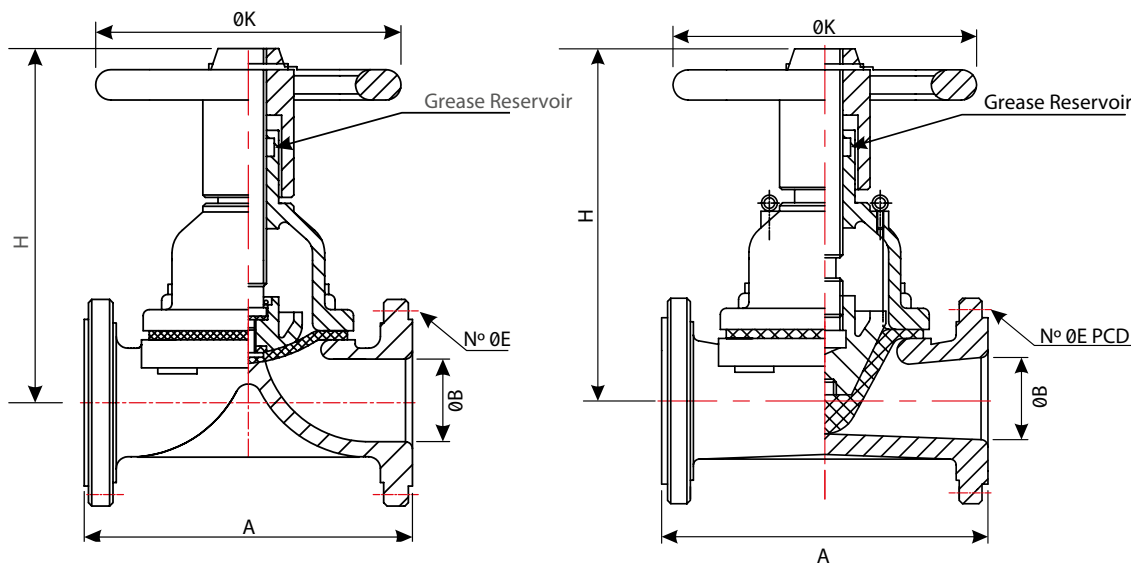
V401 Series Weir / V402 Straight Through Type Diaphragm Valves

Ideally suited to be installed as a tight shut-off or control valve in lines particularly containing abrasive or corrosive chemicals, slurries, powders, gases and high viscosity liquids with suspended solids which tend to clog conventional valves. Face to face dimensions are according to BS 5156 (short-pattern) or DN3202-F1 (long-pattern). Available as unlined or lined with flanged or threaded end connections.

Weir in the flow passage is designed to reduce the flexing of the diaphragm to a minimum, while providing a smooth and streamlined flow passage. Permits the use of a great variety of construction materials such as PTFE for the diaphragm. Unlike "Weir Type" diaphragm valves, valves with "Straight Through" flow passage require a more flexible diaphragm, therefore the construction material for diaphragms is restricted to elastomers.



Weir Type Diaphragm Valve with Threaded End Connections



Material List

Part Name	Material
Body / Bonet	GG25 Cast Iron
	GGG40 Ductile Iron
	WCB Carbon Steel
	ASI304 SS
	ASI316 SS
Diaphragm	EPDM
	NBR
	Butyl
	Viton
	Silicone
	PTFE



Weir Type Diaphragm Valve with Flanged Ends



Straight Through Type Stainless Steel Diaphragm Valve with Flanged Ends

Optional Accessories/Configurations

- Threaded End Connections
- Pneumatic Actuator Operated
- Lockable Handwheel

Dimensions(mm)

Size (DN)	A (Unlined Body)		A (Lined Body)		ØB	ØK	H (Open)	H (Closed)	PN10			Net Unit Weight (kg)	
	BS5156	DIN3202F1	BS5156	DIN3202F1					Axis	ØE	N°	BS5156	DIN3202F1
15	108	130	114	136	15	100	110,0	102,0	65	14	4	3,3	3,8
20	117	150	123	156	21	100	108,0	100,0	75	14	4	3,6	4,0
25	127	160	133	166	26	120	122,5	120,0	85	14	4	4,3	4,8
32	146	180	152	186	32	120	130,5	118,0	100	18	4	6,5	7,5
40	159	200	165	206	38	120	131,5	119,0	110	18	4	7,0	8,0
50	190	230	196	236	51	164	194,5	177,0	125	18	4	10,5	11,5
65	216	290	222	296	64	185	220,0	196,0	145	18	4	15,5	16,5
80	254	310	260	316	76	200	279,0	249,0	160	18	8	22,5	25,5
100	305	350	313	358	102	220	293,5	261,0	180	18	8	30,0	32,0
125	356	400	364	408	127	250	309,5	272,0	210	18	8	44,0	46,0
150	406	480	414	488	152	285	413,0	362,0	240	22	8	63,0	69,0
200	521	600	529	608	203	340	475,5	413,0	295	22	8	112,0	126,0
250	635	730	643	738	254	395	595,5	523,0	350	22	12	170,0	185,0
300	749	850	757	858	305	445	748,0	653,0	400	22	12	158,0	273,0



Pneumatically Actuated Straight Through Type Diaphragm Valve