

Series 1750-1760

General

This new type of miniaturised pressure regulators are mostly indicated for the use on the secondary level of the pneumatic circuits. Thanks to the contained dimensions are particularly indicated to be used very closely or directly mounted onto the consumption. Three versions are available.



Version rod G1/8" swivel ring with female thread G 1/8" and G 1/4" or push-in fitting for tube Ø4, Ø6 and Ø8



model with body in technopolymer integrated gauge and quick coupling fittings for tube Ø4 and Ø6.

G1/8" model to be directly mounted onto the valve

Compact design to be directly mounted onto the valves uses standard swivel rings with G1/8" female thread (ref 41218) or quick coupling fittings for tube sizes. It is also possible to supply the regulating shaft without the swivel ring.

Model with body in technopolymer and integrated gauge

is the more complete solution, comprises a movable gauge which enables to check the regulated pressure.

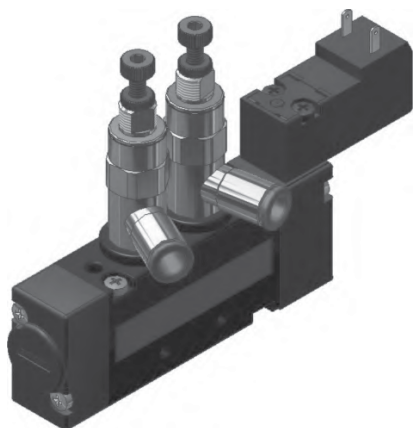
Is manufactured using the same regulating unit as the base model fitted into a technopolymer body on which are inserted two quick coupling cartridges, 4mm or 6mm tube for inlet and outlet connections; two side plates lock the cartridges and gauge in position.

It is possible to join together more than one regulator by means of a dedicated adaptor made of technopolymer which must be inserted in the appropriate slot. (the air must be supplied independently to each regulator.)

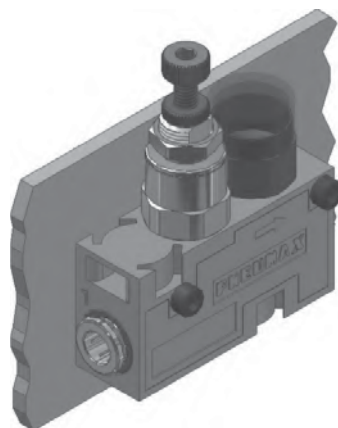
Several mounting solutions are available: wall mounting via two mounting holes, on DIN rail using the specific accessories or on panels.

Mounting solutions

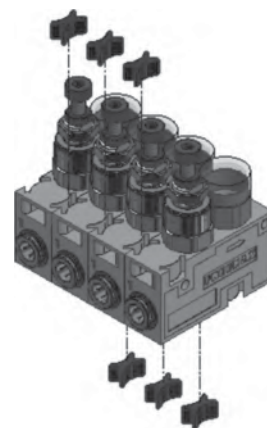
G1/8" model to be directly mounted onto the valve:
Directly mounted onto the valves threaded connections (consumptions)



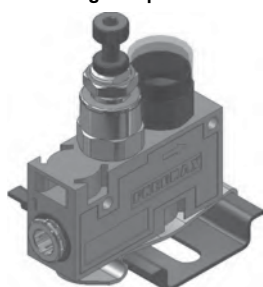
Model with body in technopolymer and integrated gauge:
Panel mounting via the locking nut



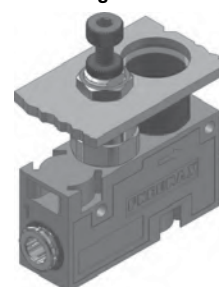
Model with body in technopolymer and integrated gauge:
Wall mounting via the mounting holes on the body



Model with body in technopolymer and integrated gauge:
On DIN rail using the specific accessories



Model with body in technopolymer and integrated gauge:
Panel mounting via the locking nut



Miniaturised pressure regulators - with technopolymer body

Coding: 17522A[Ⓒ][Ⓓ]

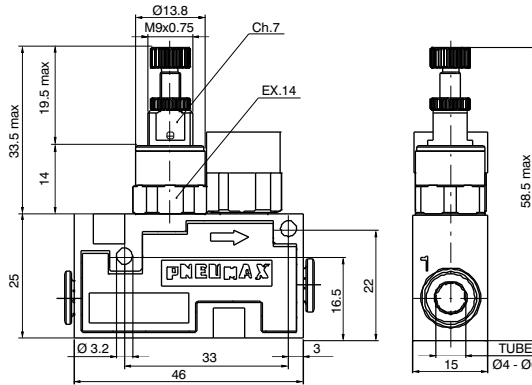
Construction characteristics

- Regulating cartridge = Nickel-plated brass
- Regulator body = Technopolymer
- Seals = Oil resistant nitrilic rubber (NBR)
- Plunger spring = AISI 302
- Regulating spring = Spring suitable steel
- Plunger = Oil resistant nitrilic rubber (NBR)
- Other parts = Brass



Operational characteristics	
Max working pressure (bar)	10
Temperature °C	-5 ÷ +50
Flow rate at 6 bar with Δp=1 (NI/min)	120
Working ports size	Ø4-Ø6
Inlet connections sizes	Ø4-Ø6
Mounting positioning	Any

CONNECTIONS	
[Ⓒ] 4	= Tube Ø4
[Ⓒ] 6	= Tube Ø6
REGULATION RANGE	
[Ⓒ] C	= 0÷8bar
[Ⓒ] B	= 0÷4bar
[Ⓒ] A	= 0÷2bar



Miniaturised pressure regulators, rod G1/8"

Coding: 17602A[Ⓐ][Ⓒ]

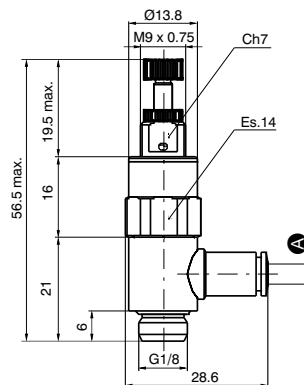
Construction characteristics

- Regulating cartridge = Nickel-plated brass
- Regulator body = Nickel-plated brass
- Seals = Oil resistant nitrilic rubber (NBR)
- Plunger spring = AISI 302
- Regulating spring = Spring suitable steel
- Plunger = Oil resistant nitrilic rubber (NBR)
- Other parts = Brass



Operational characteristics	
Max working pressure (bar)	10
Temperature °C	-5 ÷ +50
Flow rate at 6 bar with Δp=1 (NI/min)	120
Working ports size	G1/8"
Inlet connections sizes	G1/8"-Ø4-Ø6-Ø8
Mounting positioning	Any

SWIVEL RING	
[Ⓐ] 0	= None
[Ⓐ] 1	= Swivel ring G1/8" female
[Ⓐ] 4	= Tube Ø4
[Ⓐ] 6	= Tube Ø6
[Ⓐ] 8	= Tube Ø8
REGULATION RANGE	
[Ⓒ] C	= 0÷8bar
[Ⓒ] B	= 0÷4bar
[Ⓒ] A	= 0÷2bar



Miniaturised pressure regulators, rod G1/4"

Coding: 17602B[Ⓐ][Ⓒ]

Construction characteristics

- Regulating cartridge = Nickel-plated brass
- Regulator body = Nickel-plated brass
- Seals = Oil resistant nitrilic rubber (NBR)
- Plunger spring = AISI 302
- Regulating spring = Spring suitable steel
- Plunger = Oil resistant nitrilic rubber (NBR)
- Other parts = Brass



Operational characteristics	
Max working pressure (bar)	10
Temperature °C	-5 ÷ +50
Flow rate at 6 bar with Δp=1 (NI/min)	120
Working ports size	G1/4"
Inlet connections sizes	G1/4"-Ø4-Ø6-Ø8
Mounting positioning	Any

SWIVEL RING	
[Ⓐ] 0	= None
[Ⓐ] 1	= Swivel ring G1/4" female
[Ⓐ] 6	= Tube Ø6
[Ⓐ] 8	= Tube Ø8
REGULATION RANGE	
[Ⓒ] C	= 0÷8bar
[Ⓒ] B	= 0÷4bar
[Ⓒ] A	= 0÷2bar

