

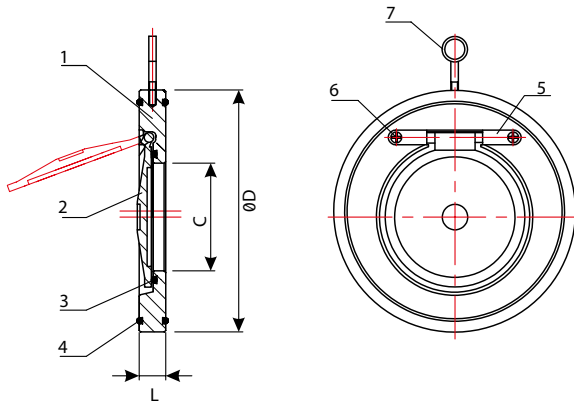


V701 Series Wafer Type Swing Check Valves

- Available in sizes ranging from DN40 up to DN600.
- Designed in accordance with the requirements of EN 1074-3 and pressure tested to EN 12266-1.
- Very low weight and ultra short face to face dimensions.
- In-built face sealing 'O' Ring eliminates the use of flange gaskets.
- Ideally suited for handling fresh, sea, waste water, steam, acids and alkaline liquid.
- Maximum allowable operating pressure is 16 bar(g).
- A minimum back pressure of 0,3 bar is required to keep the valve tight.



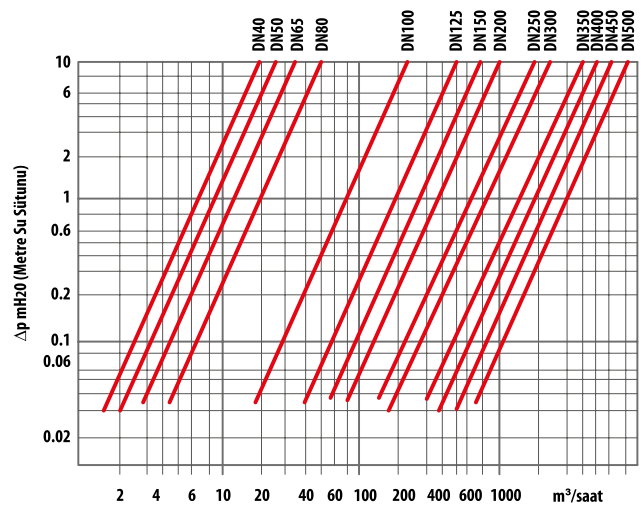
Part List



Material List

No	Part Name	Material
1	Body	ASTM A105 / AISI304 / AISI316 / AISI316L / Bronze
2	Disc	AISI304 / AISI316 / AISI316L / Bronze
3/4	O-Ring / Seal	EPDM / NBR / Viton / Silicone / PTFE
5	Washer	AISI316 / WCB
6	Screw	AISI316
7	Eye Bolt	Galvanized Steel

Pressure Drop Curve



Dimensions(mm)

Size (DN)	L	C	ØD				Net Unit Weight (Kg)
			PN6	PN10	PN16	ANSI150	
40	14	22	88	92	86	0,7	
50	14	32	98	107	105	1,0	
65	14	40	118	127	124	1,2	
80	14	54	134	142	137	1,7	
100	18	70	154	162	175	2,5	
125	18	92	184	192	195	3,1	
150	20	114	209	218	220	4,2	
200	22	154	264	273	279	7,2	
250	26	200	319	328	329	12,0	
300	28	235	375	378	384	18,0	
350	38	280	425	438	444	32,0	
400	44	316	475	489	491	46,0	
450	50	360	530	532	550	63,0	
500	56	405	580	585	610	87,0	
600	62	486	680	690	724	130,0	

